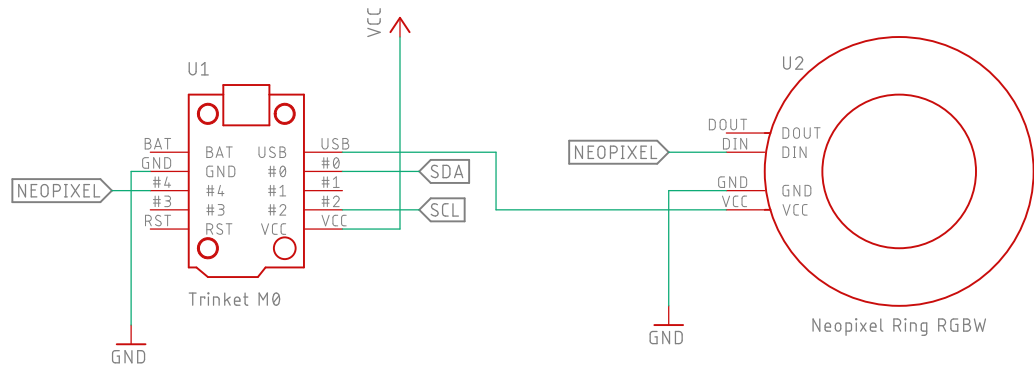


Two schottky diodes are required to minimize the voltage drop. Alternatively, use regular diodes and connect to USB 5V.

C2 is a super capacitor.
R3 limits the in-rush current. Either use a 3/4W resistor, or special SMD resistor which can handle this current. 82Ω is very low!, ~500Ω is a sensible value for 5V and SMD.

R1+R2 can be in the range from 1kΩ to 10kΩ. They are not very critical for the 100kb/s I2C speed.



TITLE: Candle Decoration V1	
Document Number:	REV:
Date: 25.11.19 11:36	Sheet: 1/1